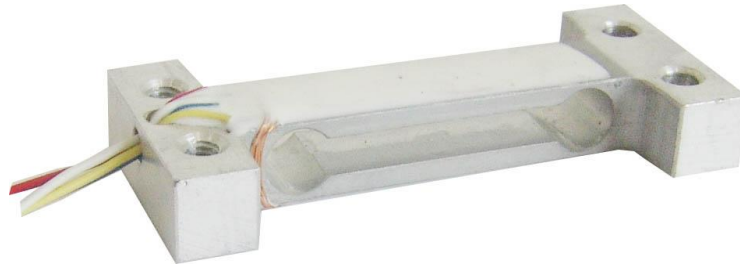


Type Q47 Miniature Sensor



Short description



- Aluminium bending miniature sensor
- High accuracy
- Used for handable scales

Available models

Capacity	Accuracy	Full article description
100g	0.05%	Q47-20*6.6-100g
120g	0.05%	Q47-20*6.6-120g
300g	0.05%	Q47-20*6.6-300g
500g	0.05%	Q47-20*6.6-500g
1000g	0.05%	Q47-20*6.6-1000g

Specifications and dimensions are subject to change without notice and do not constitute any liability whatsoever.

Type Q47 Miniature Sensor

Detailed specifications Q47

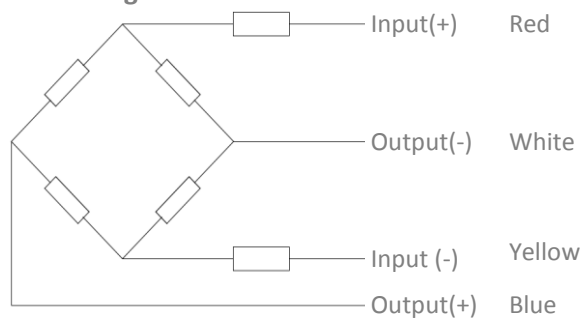
Accuracy class	of FS	0.05%	
Output sensitivity (= FS)	mV/V	0.6±0.12	0.9±0.18
Maximum capacity (E _{max})	g	100, 120	300, 500, 1000
Temperature effect on zero	%FS/10°C	±2.0	
Temperature effect on Sensitivity	%FS/10°C	±0.05	
Minimum dead load	of E _{max}	0%	
Safe overload	of E _{max}	150 %	
Ultimate overload	of E _{max}	300%	
Zero output	mV/V	≤ ± 0.5	
Excitation, recommended voltage	V	2 ~ 5	
Excitation maximum	V	6	
Input resistance	Ω	1055 ± 10	
Output resistance	Ω	1000 ± 10	
Insulation resistance	MΩ	≥2000 (at 50VDC)	
Compensated temperature	°C	-10 ~+40	
Operating temperature	°C	-10 ~ +40	
Storage temperature	°C	-20 ~ +65	
Element material		Aluminium	
Creep	%FS/3 min	±0.05	
Non-linearity	%FS	±0.05	
Repeatability	%FS	±0.05	
Hysteresis	%FS	±0.05	

Wiring

Wiring:

4 separate conductor cables.
Standard cables length: 0.25m.

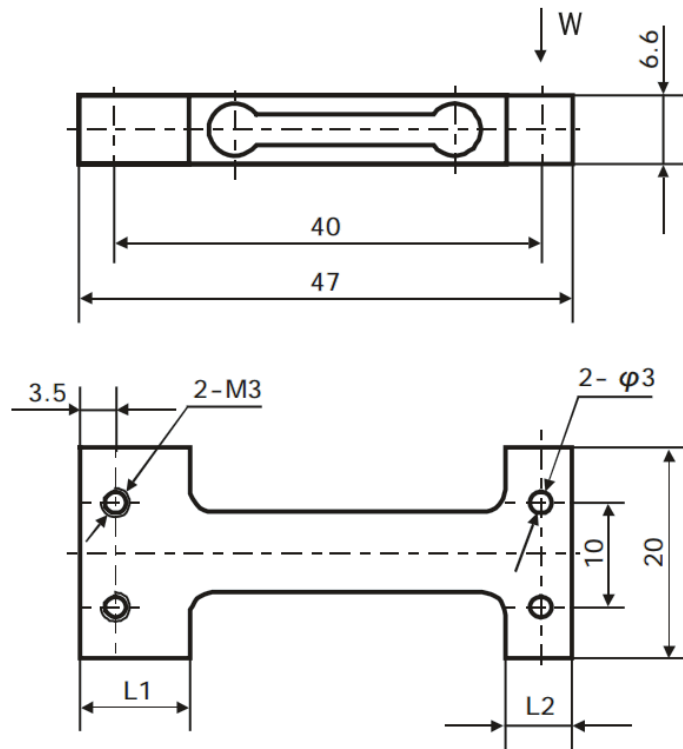
4-wire diagram



Specifications and dimensions are subject to change without notice and do not constitute any liability whatsoever.

Type Q47 Miniature Sensor

Dimensions in mm



Dimension Capacity	L1	L2
100g, 120g	10.5	6.5
300g – 1000g	6.5	6.5

Specifications and dimensions are subject to change without notice and do not constitute any liability whatsoever.